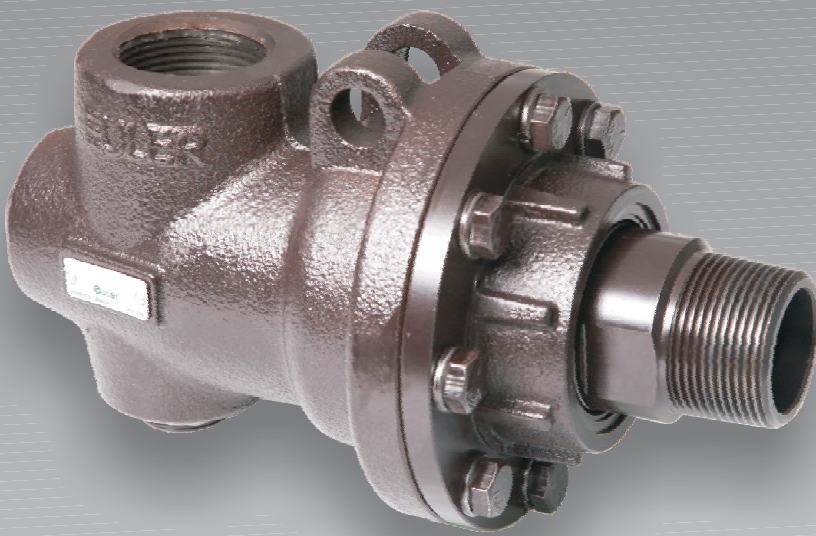


SS Rotary Joints For Steam



The **EULER SS Steam Rotary Joint** is a flexible design offered in monoflow, duoflow fixed pipe and duoflow rotating pipe models. This Joint offers superior performance for industries such as plastics, rubber, paper, roofing products, textile, to name just a few.



Design Features

- Antimony Impregnated Seals and Bushings provide 3X the life of standard seals and bearings.
- Hardened sleeve is QPQ treated for extreme wear and corrosion resistance.
- Convex seal is self-aligning and under compression for greater strength and shock resistance.
- Antimony Impregnated Carbon Bushings are under compression and widely spaced. Provides improved support of the joint and siphon pipe.
- A Seal Life Indicator allows preventive maintenance and easy repair with an inexpensive repair kit.
- Additional port allows installing instrumentation

Sizes 1/2" to 3"

Operating Parameters

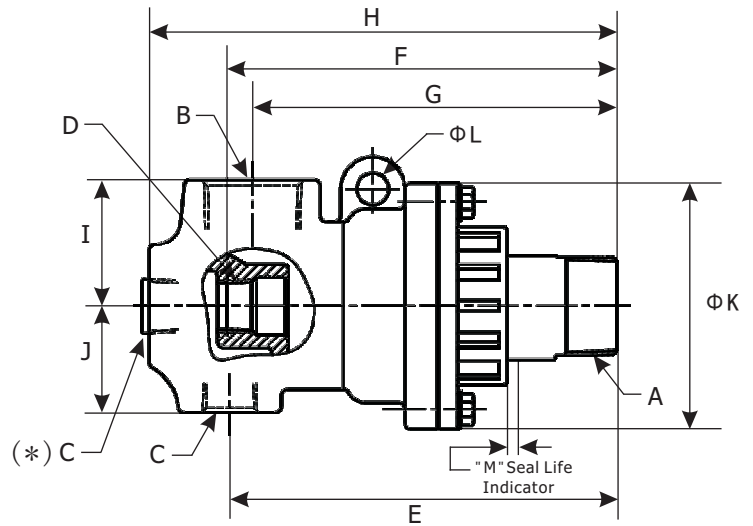
Temperature: +406°F/+ 208°C

Pressure Rating:

Sizes 1/2" to 1-1/2" 250 PSI / 17.2 BAR

Sizes 2" to 3" 225 PSI / 15.5 BAR

DUO-FLOW Fixed Siphon

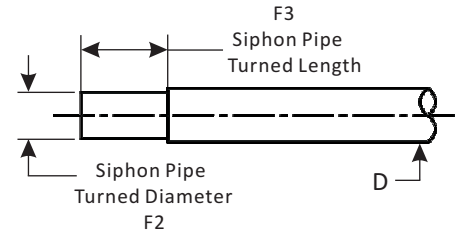
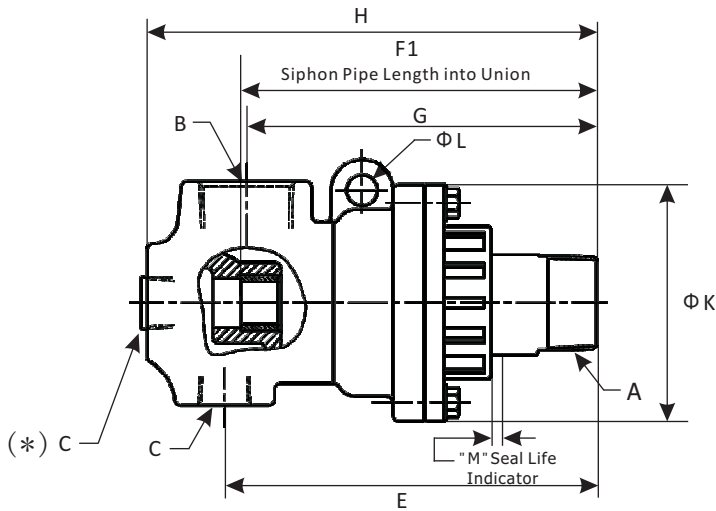


(*) Sealed plug can be removed for instrumentation

Joint Size	Part Number	A	B	C	D Siphon Thread	E	F	G	H	I	J	Φ K	Φ L	M
1/2"	EU-20008-00	1/2" NPT RH	1/2" NPT	1/4" NPT	1/8" NPT	5.43"	5.12"	4.6"	5.93"	1.62"	1.16"	3.29"	—	.19"
	EU-20008-01	1/2" NPT LH												
	EU-20008-04	R 1/2" RH	R 1/2"	R 1/4"	R 1/8"	137.9	130.0	116.8	150.6	41.15	29.46	83.6	—	4.8
	EU-20008-05	R 1/2" LH												
3/4"	EU-20012-00	3/4" NPT RH	3/4" NPT	1/2" NPT	1/4" NPT	5.22"	5.31"	4.6"	6.23"	1.75"	1.25"	3.54"	—	.19"
	EU-20012-01	3/4" NPT LH												
	EU-20012-04	R 3/4" RH	R 3/4"	R 1/2"	R 1/4"	132.6	134.9	116.8	158.2	44.45	31.75	89.9	—	4.8
	EU-20012-05	R 3/4" LH												
1"	EU-20016-00	1" NPT RH	1" NPT	1/2" NPT	3/8" NPT	6.02"	6.1"	5.27"	7.07"	2.06"	1.25"	3.88"	.50"	.25"
	EU-20016-01	1" NPT LH												
	EU-20016-04	R 1" RH	R 1"	R 1/2"	R 3/8"	152.9	154.9	133.9	179.6	52.32	31.75	98.55	12.7	6.4
	EU-20016-05	R 1" LH												
1-1/4"	EU-20020-00	1-1/4" NPT RH	1-1/4" NPT	3/4" NPT	1/2" NPT	7.05"	7.31"	6.74"	8.66"	2.19"	1.78"	4.76"	.62"	.25"
	EU-20020-01	1-1/4" NPT LH												
	EU-20020-04	R 1-1/4" RH	R 1-1/4"	R 3/4"	R 1/2"	179.1	185.7	171.2	220.0	55.62	45.21	120.9	15.7	6.4
	EU-20020-05	R 1-1/4" LH												
1-1/2"	EU-20024-00	1-1/2" NPT RH	1-1/2" NPT	3/4" NPT	3/4" NPT	7.54"	7.59"	7.1"	9.09"	2.44"	2.06"	4.95"	.62"	.25"
	EU-20024-01	1-1/2" NPT LH												
	EU-20024-04	R 1-1/2" RH	R 1-1/2"	R 3/4"	R 3/4"	191.5	192.8	180.3	230.9	61.98	52.32	125.7	15.7	6.4
	EU-20024-05	R 1-1/2" LH												
2"	EU-20032-00	2" NPT RH	2" NPT	1-1/4" NPT	3/4" NPT	8.68"	8.68"	8.12"	10.69"	2.75"	2.56"	6.28"	.62"	.31"
	EU-20032-01	2" NPT LH												
	EU-20032-04	R 2" RH	R 2"	R 1-1/4"	R 3/4"	220.5	220.5	206.2	271.5	69.85	65.02	159.5	15.7	7.9
	EU-20032-05	R 2" LH												
2-1/2"	EU-20040-00	2-1/2" NPT RH	2-1/2" NPT	1-1/4" NPT	1" NPT	10.2"	10.3"	9.82"	12.51"	3.0"	2.50"	7.15"	.75"	.25"
	EU-20040-01	2-1/2" NPT LH												
	EU-20040-04	R 2-1/2" RH	R 2-1/2"	R 1-1/4"	R 1"	259.1	261.6	249.4	317.8	76.20	63.50	181.6	19.1	6.4
	EU-20040-05	R 2-1/2" LH												
3"	EU-20048-00	3" NPT RH	3" NPT	1-1/2" NPT	1-1/2" NPT	10.92"	11.09"	10.73"	13.1"	3.62"	2.88"	8.08"	.94"	.25"
	EU-20048-01	3" NPT LH												
	EU-20048-04	R 3" RH	R 3"	R 1-1/2"	R 1-1/2"	277.4	281.7	272.5	332.7	91.95	73.15	205.2	23.9	6.4
	EU-20048-05	R 3" LH												

Other sleeve connections available. Contact Euler.

Duo-Flow & Rotating Siphon

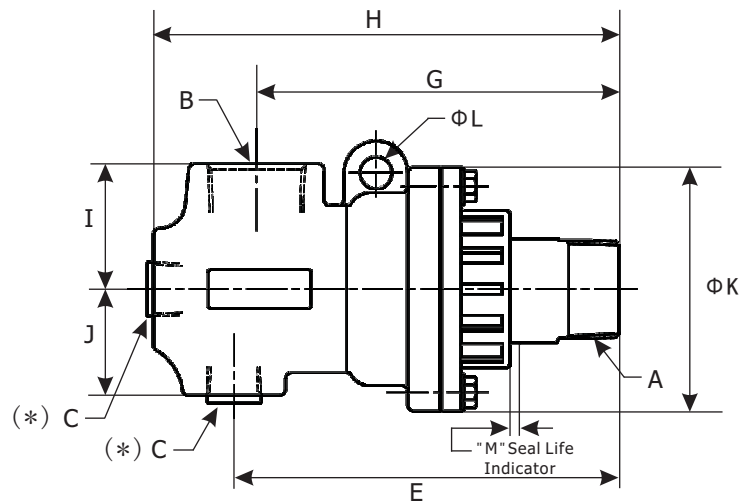


(*) Sealed plug can be removed for instrumentation

Joint Size	Part Number	A	B	C	D Siphon pipe size	E	F1 Length in union	F2 Pipe Dia.	F3 Turned length	G	H	Φ K	Φ L	M
1/2"	EU-21008-00	1/2" NPT RH	1/2" NPT	1/4" NPT	1/8"	5.43"	5.19"	.371"-.372"	1.125"	4.6"	5.93"	3.29"	—	.19"
	EU-21008-01	1/2" NPT LH												
	EU-21008-04	R 1/2" RH	R 1/2"	R 1/4"	1/8"	137.9	131.83	9.42-9.45	28.6	117	150.6	83.6	—	4.8
	EU-21008-05	R 1/2" LH												
3/4"	EU-21012-00	3/4" NPT RH	3/4" NPT	1/2" NPT	1/4"	5.22"	5.13"	.496"-.497"	1.125"	4.6"	6.23"	3.54"	—	.19"
	EU-21012-01	3/4" NPT LH												
	EU-21012-04	R 3/4" RH	R 3/4"	R 1/2"	1/4"	132.6	130.30	12.60-12.62	28.6	117	158.2	89.9	—	4.8
	EU-21012-05	R 3/4" LH												
1"	EU-21016-00	1" NPT RH	1" NPT	1/2" NPT	3/8"	6.02"	6.14"	.621"-.622"	1.25"	5.27"	7.07"	3.88"	.50"	.25"
	EU-21016-01	1" NPT LH												
	EU-21016-04	R 1" RH	R 1"	R 1/2"	3/8"	152.9	155.96	15.77-15.80	31.75	134	179.6	98.6	12.7	6.4
	EU-21016-05	R 1" LH												
1-1/4"	EU-21020-00	1-1/4" NPT RH	1-1/4" NPT	3/4" NPT	1/2"	7.05"	7.53"	.808"-.810"	1.50"	6.74"	8.66"	4.76"	.62"	.25"
	EU-21020-01	1-1/4" NPT LH												
	EU-21020-04	R 1-1/4" RH	R 1-1/4"	R 3/4"	1/2"	179.1	191.26	20.52-20.57	38.1	171	220.0	121	15.7	6.4
	EU-21020-05	R 1-1/4" LH												
1-1/2"	EU-21024-00	1-1/2" NPT RH	1-1/2" NPT	3/4" NPT	3/4"	7.54"	7.53"	.995"-.997"	1.50"	7.1"	9.09"	4.95"	.62"	.25"
	EU-21024-01	1-1/2" NPT LH												
	EU-21024-04	R 1-1/2" RH	R 1-1/2"	R 3/4"	3/4"	191.5	191.26	25.27-25.32	38.1	180	230.9	126	15.7	6.4
	EU-21024-05	R 1-1/2" LH												
2"	EU-21032-00	2" NPT RH	2" NPT	1-1/4" NPT	3/4"	8.68"	8.43"	1.245"-.1.247"	2.00"	8.12"	10.69	6.28"	.62"	.31"
	EU-21032-01	2" NPT LH												
	EU-21032-04	R 2" RH	R 2"	R 1-1/4"	3/4"	220.5	214.12	31.62-31.67	50.8	206	271.5	160	15.7	7.9
	EU-21032-05	R 2" LH												
2-1/2"	EU-21040-00	2-1/2" NPT RH	2-1/2" NPT	1-1/4" NPT	1"	10.2"	10.08"	1.495"-.1.497"	2.25"	9.82"	12.51"	7.15"	.75"	.25"
	EU-21040-01	2-1/2" NPT LH												
	EU-21040-04	R 2-1/2" RH	R 2-1/2"	R 1-1/4"	1"	259.1	256.03	37.97-38.02	57.2	249	317.8	182	19.1	6.4
	EU-21040-05	R 2-1/2" LH												
3"	EU-21048-00	3" NPT RH	3" NPT	1 1/2" NPT	1-1/2"	10.92"	11.09	1.745"-.1.747"	2.25"	10.73"	13.1"	8.08"	.94"	.25"
	EU-21048-01	3" NPT LH												
	EU-21048-04	R 3" RH	R 3"	R 1-1/2"	1-1/2"	277.4	281.69	44.32-44.37	57.2	273	332.7	205	23.9	6.4
	EU-21048-05	R 3" LH												

Other sleeve connections available. Contact Euler.

MONO-FLOW



(*) Sealed plug can be removed for instrumentation

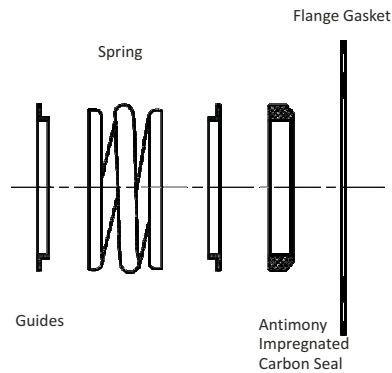
Joint Size	Part Number	A	B	C	E	G	H	I	J	ΦK	ΦL	M
1/2"	EU-22008-00	1/2" NPT RH	1/2" NPT	1/4" NPT	5.43"	4.6"	5.93"	1.62"	1.16"	3.29"	—	.19"
	EU-22008-01	1/2" NPT LH										
	EU-22008-04	R 1/2" RH	R 1/2"	R 1/4"	137.9	116.8	150.6	41.15	29.46	83.6	—	4.8
	EU-22008-05	R 1/2" LH										
3/4"	EU-22012-00	3/4" NPT RH	3/4" NPT	1/2" NPT	5.22"	4.6"	6.23"	1.75"	1.25"	3.54"	—	.19"
	EU-22012-01	3/4" NPT LH										
	EU-22012-04	R 3/4" RH	R 3/4"	R 1/2"	132.6	116.8	158.2	44.45	31.75	89.9	—	4.8
	EU-22012-05	R 3/4" LH										
1"	EU-22016-00	1" NPT RH	1" NPT	1/2" NPT	6.02"	5.27"	7.07"	2.06"	1.25"	3.88"	.50"	.25"
	EU-22016-01	1" NPT LH										
	EU-22016-04	R 1" RH	R 1"	R 1/2"	152.9	133.9	179.6	52.32	31.75	98.6	12.7	6.4
	EU-22016-05	R 1" LH										
1-1/4"	EU-22020-00	1-1/4" NPT RH	1-1/4" NPT	3/4" NPT	7.05"	6.74"	8.66"	2.19"	1.78"	4.76"	.62"	.25"
	EU-22020-01	1-1/4" NPT LH										
	EU-22020-04	R 1-1/4" RH	R 1-1/4"	R 3/4"	179.1	171.2	220.0	55.62	45.21	120.9	15.7	6.4
	EU-22020-05	R 1-1/4" LH										
1-1/2"	EU-22024-00	1-1/2" NPT RH	1-1/2" NPT	3/4" NPT	7.54"	7.1"	9.09"	2.44"	2.06"	4.95"	.62"	.25"
	EU-22024-01	1-1/2" NPT LH										
	EU-22024-04	R 1-1/2" RH	R 1-1/2"	R 3/4"	191.5	180.3	230.9	61.98	52.32	125.7	15.7	6.4
	EU-22024-05	R 1-1/2" LH										
2"	EU-22032-00	2" NPT RH	2" NPT	1-1/4" NPT	8.68"	8.12"	10.69	2.75"	2.56"	6.28"	.62"	.31"
	EU-22032-01	2" NPT LH										
	EU-22032-04	R 2" RH	R 2"	R 1-1/4"	220.5	206.2	271.5	69.85	65.02	159.5	15.7	7.9
	EU-22032-05	R 2" LH										
2-1/2"	EU-22040-00	2-1/2" NPT RH	2-1/2" NPT	1-1/4" NPT	10.2"	9.82"	12.51"	3.0"	2.50"	7.15"	.75"	.25"
	EU-22040-01	2-1/2" NPT LH										
	EU-22040-04	R 2-1/2" RH	R 2-1/2"	R 1-1/4"	259.1	249.4	317.8	76.20	63.50	181.6	19.1	6.4
	EU-22040-05	R 2-1/2" LH										
3"	EU-22048-00	3" NPT RH	3" NPT	1-1/2" NPT	10.92"	10.73"	13.1"	3.62"	2.88"	8.08"	.94"	.25"
	EU-22048-01	3" NPT LH										
	EU-22048-04	R 3" RH	R 3"	R 1-1/2"	277.4	272.5	332.7	91.95	73.15	205.2	23.9	6.4
	EU-22048-05	R 3" LH										

Other sleeve connections available. Contact Euler.

Repair Kits

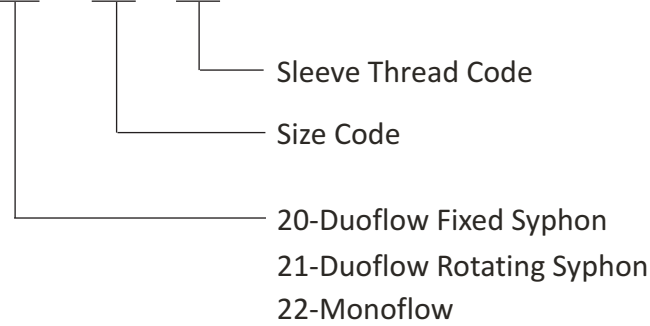
Joint Size	Part Number
1/2"	48-200-08-00
3/4"	48-200-12-00
1"	48-200-16-00
1-1/4"	48-200-20-00
1-1/2"	48-200-24-00
2"	48-200-32-00
2-1/2"	48-200-40-00
3"	48-200-48-00

Repair Kit Parts



SS Series Rotary Joints Part Numbering System

EU - 2X 0 ZZ - YY



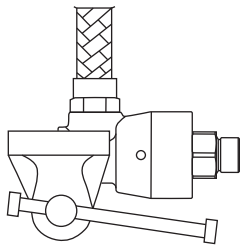
EULER MISSION STATEMENT

The goal of the EULER Company is to supply our customers the highest quality rotary unions and joints that are competitively priced and offer the best delivery in the industry.

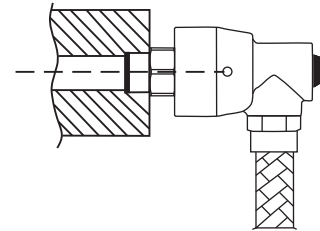
EULER will work to partner with our customers to initiate new products and applications, along with internal programs for continuous product improvements and cost containment.

Installation Instructions

1. Always use a flexible hose rated for the media, pressure and temperature. Avoid side loading the union with the hose.

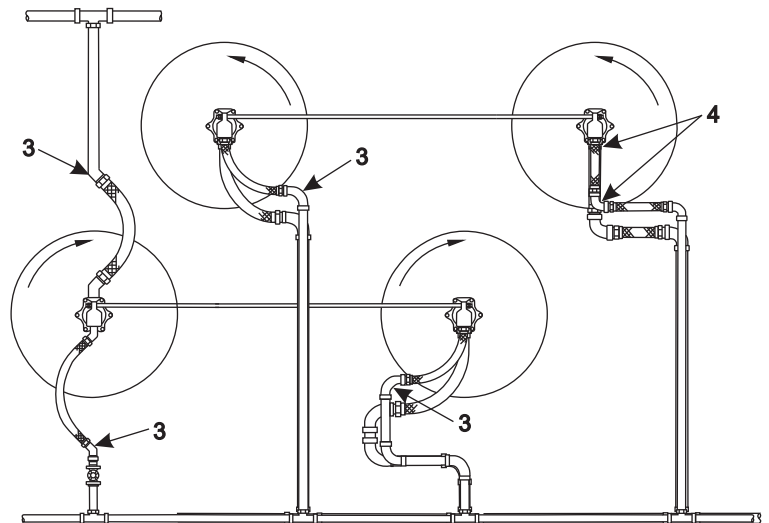


2. Always attach the hose before installing on the machine. Clamp rear of union in a bench vise.

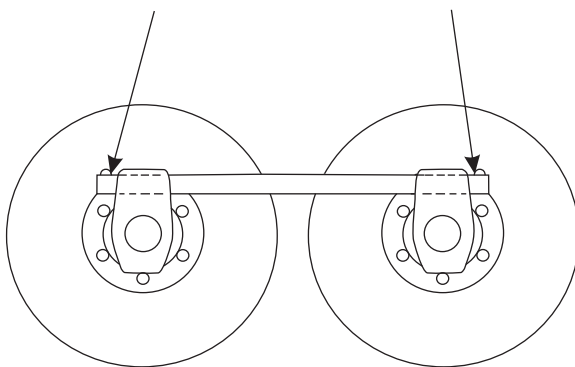


3. Do not install hose taut. Use 45° or 90° elbows to avoid kinking.

4. In tight installations use vertical and horizontal hoses connected by a 90° elbow.



Leave clearance
Do not completely restrain joint.



Anti-Rotation rods may be installed either horizontally or vertically.

5. If union has an anti-rotation lug use pipe or solid rod between unions or machine frame. Install anti-rotation rod loosely allowing free movement of the union.

6. Suggested Anti-Rotation Rod Size
 1" Union – 3/8" dia. Max
 1 1/4" to 2" Union – 1/2" dia. Max
 2 1/2" Union – 5/8" dia. Max
 3" Union – 3/4" dia. Max

ADDITIONAL

EULER ENGINEERED PRODUCTS



The EULER WS/WSX Rotary Unions have premium features not found in other unions such as low torque, seals for filtered and unfiltered media and is RoHS compliant. Request Bulletin 1002 or visit www.eulerinc.com for complete information.



Email: info@eulerinc.com
www.eulerinc.com

EULER Canada

6A-170 The Donway West,
Suite #815, Toronto, ON
Canada M3C 2E8
Tel.: (416)786-7053

EULER USA

180 S. Western Ave.,
Suite #145
Carpentersville, IL 60110
Tel.: (815)669-3702

EULER China

55 Zhanwang Road, Yingzhou
Economic Development Zone,
Ningbo, China 315145
Tel.: +86(574)87806387